

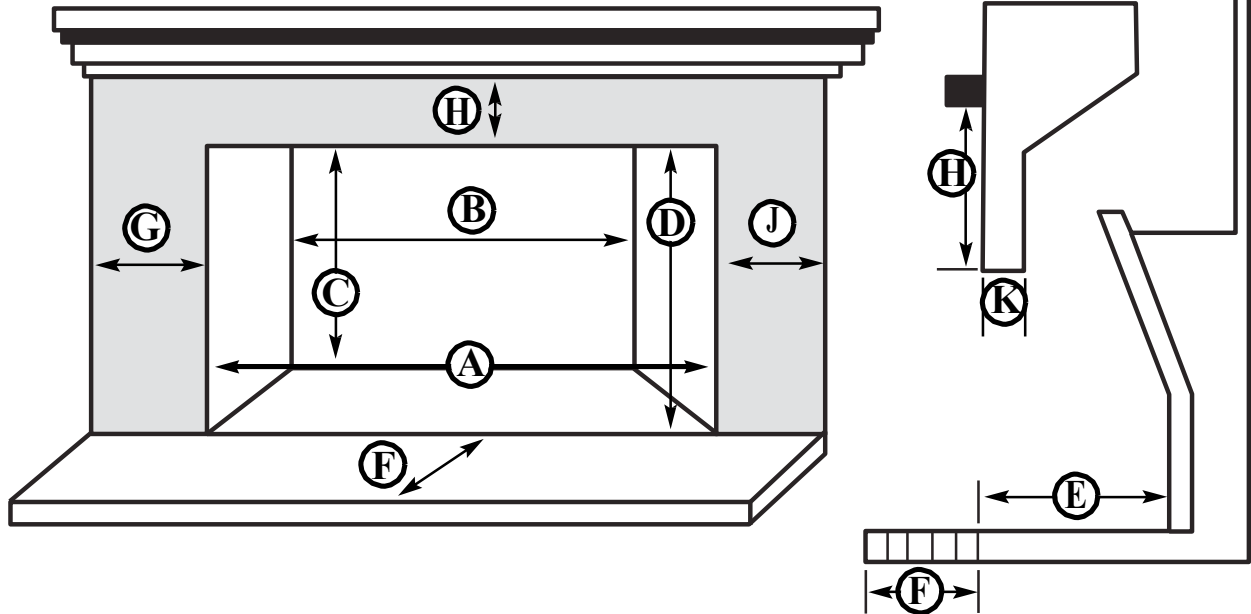
FIREPLACE MEASUREMENTS

Customer Name _____ Salesperson/Tech _____

Address&City _____

Work Phone _____ Home Phone _____

Cell Phone _____ Date _____



- (A)** Width-Front: _____
- (B)** Width-Rear: _____
- (C)** Height-Center: _____
- (D)** Height-Side: _____
- (E)** Firebox Depth: _____
- (F)** Hearth Measurement: _____
- (G)** Distance to side mantle Left: (or combustible surface) _____
- (H)** Height to mantle: (or combustible surface) _____
- (J)** Distance to side mantle Right: (or combustible surface) _____
- (K)** Width of Lintel: _____

Is this an arch fireplace yes no

Is this a prefabricated or all metal fireplace yes no

Is this an all masonry fireplace yes no

Is there a drop between the hearth and the firebox?
 yes no (E&F) how much _____

Please note any unusual protruding bricks _____

Is there anything unusual about the fireplace? yes no

OTHER

- 1) Type of facing: Brick Stone
- 2) Is a flue liner in chimney? yes no



2475 Old Washington Road Waldorf, Maryland 20601

Phone: 301-843-1771

Fax: 240-607-2259